

Yale *ERGO* 360



INNOVATIVE ENGINEERING DESIGNED FOR YOU

To create the best ratchet lever hoist on the market, Columbus McKinnon started with a fundamental question – how do people use ratchet lever tools to perform their jobs?

To answer that question, a global team of Columbus McKinnon engineers and application specialists worked with the Institute for Product Innovation at the University of Wuppertal, Germany, to perform an in-depth ergonomic study. Research included more than 200 voice-of-customer interviews across 10 countries, as well as numerous on-site evaluations of real-life applications for traditional lever tools.

The study revealed that lever hoists are more often used for pulling and securing than they are for lifting. And, in many applications, proper, safe and ergonomic use is not possible.

Using the data collected, Columbus McKinnon engineered and built a first-in-class product that exceeds the ergonomic and performance expectations of our customers around the world.

The result is not simply the best, but rather one of the most innovative and safest ratchet lever hoists in the world – the Yale *ERGO 360* featuring our patent-pending crank handle.





PATENT PENDING
CRANK HANDLE
DESIGNED FOR OPTIMAL
EFFICIENCY & SAFETY

360° ↻

Yale **ERGO 360**

Redefining lever-operated hoists, the Yale **ERGO 360** features the revolutionary crank handle that allows for efficient operation in both lifting and pulling applications.

Ergonomically designed for increased safety, the patent-pending Yale **ERGO 360** lets the operator to work up to 12 times faster and with as much as 30 % less pull force than with conventional ratchet lever tools.

750 - 6000 KG CAPACITIES

3000 and 6000 kg capacities available 2nd quarter

BENEFITS & FEATURES

CRANK HANDLE

This first-of-its-kind lever handle design will revolutionize the ratchet lever hoist industry. Its unique foldable lever handle and 360° rotating action increases productivity while reducing the risk of operator injury.

CONVENIENT DIRECTIONAL INDICATOR

Easy-to-use, highly visible directional indicator located on the handle clearly shows the operating direction as lifting, lowering or neutral.

EASY & SMOOTH FREE CHAINING

For quick take up and positioning of slack chain – even with one hand. Designed not to accidentally free chain while under load. Cast chain end stop allows the user to easily position the chain in free-chaining mode and prevents it from entering the liftwheel and jamming the hoist.

POSITIVE LOAD CONTROL

Enclosed Weston-type brake stays clean and dry for precise load positioning.

BUILT TO LAST

Lightweight aluminum housing withstands rigorous use and features high-quality, long-lasting bearings. Powder coat finish provides extra protection in harsh environments.

EXCELLENT CORROSION PROTECTION

Robust chain guide and chain stripper made from cast steel and zinc-plated for corrosion protection.

EASY-TO-INSPECT SWIVEL HOOKS

Bolt on hooks with nylon locks simplify the inspection (process). Hooks are forged, allowing them to yield under overload without breaking. Cast safety latches provide positive and secure load engagement.

EASY IDENTIFICATION

Each unit has a unique serial number for easy and accurate identification.

OPTIONS

INTERNAL LOAD LIMITER

Allows handle to rotate freely when hoist is overloaded, preventing damage to the unit. Load limiter units feature a black hand wheel for quick and easy on-site identification.

RADIO FREQUENCY IDENTIFICATION

Simplify inventory and inspection management processes.

SHIPYARD HOOKS

Available for 1500 kg unit.

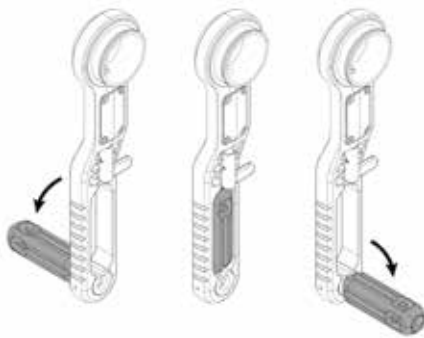
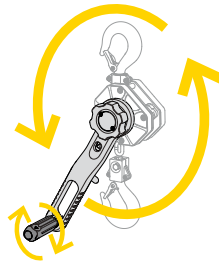




THE REVOLUTIONARY CRANK HANDLE

PATENT-PENDING DESIGN

- 360° rotation increases efficiency, allowing operators to work up to 12 times faster than with a conventional ratchet lever hoist.
- Requires 30% less pull force to operate.
- Easy and effective operation from any angle with handle that folds down and locks into position on either side of the lever.
- Design keeps the operator's body aligned with the load chain, reducing the risk of the twist effect – when a hoist twists around the chain. No need to use a second hand to stabilize the hoist.
- Operator can securely grip the grooved, no-slip handle.
- Crank handle made of durable poliamide with a heavy-duty steel core for rugged use.



**DISTINCTIVE
(((CLICKING SOUND)))
ENSURES THE HANDLE
IS LOCKED INTO POSITION**

To return handle to upright position,
simply pull the handle outward
and snap into place inside the lever.



EASILY CHANGE YOUR GRIP TO SUIT THE APPLICATION

The Yale *ERGO 360* gives operators ultimate flexibility. When an application requires a customary ratcheting hand grip, the Yale *ERGO 360* can be operated like a traditional lever tool when the lever handle is in the upright position.





ERGONOMIC DESIGN DELIVERS OPTIMAL OPERATOR SAFETY



Hoist design allows the operator to work in a **safe and ergonomic** position.



Patent-pending crank handle enables smooth 360° operation, **reducing repetitive wrist action** experienced with traditional ratchet lever hoists.

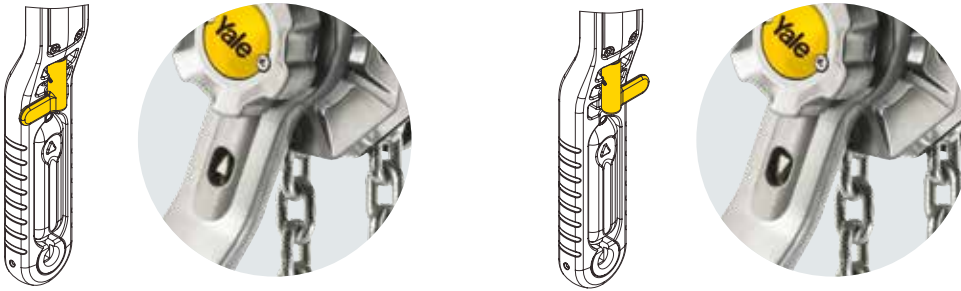


Double reduction gearing and high-quality bearings **decrease required pull force by up to 30%**, reducing operator fatigue.

EASY-TO-USE DIRECTIONAL CONTROL & FREE CHAINING

CONVENIENT DIRECTIONAL INDICATOR

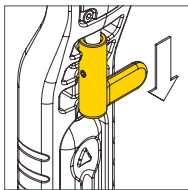
Easy-to-use, highly visible directional indicator window located in the handle clearly shows the operating direction as lifting (▲), lowering (▼) or neutral (N).



EASY & SMOOTH FREE CHAINING

Allows for quick take up and positioning of slack chain – even with one-handed use. Designed not to accidentally free chain while under load. Cast chain end stop allows the user to quickly position the chain in free-chaining mode and prevents it from entering the liftwheel and jamming the hoist.

In this mode of operation, the chain can be pulled through the hoist in either direction by hand for quick attachment to the load. To engage the free chaining feature, remove the load and move the directional lever to the neutral (N) position.



SAFE & SECURE SELECTOR LEVER LOCKS IN PLACE TO PREVENT ACCIDENTALLY SWITCHING.

Pull down on the selector lever to unlock it, turn it to the desired direction, and release it into the locking position.

EASILY CARRY & TRANSPORT WITH JUST ONE HAND

When folded out, the lever handle can serve as a carrying grip for easy transport. Simply attach the end stop to the hook and slip the hook onto the crank handle to lift and carry the unit with one hand.



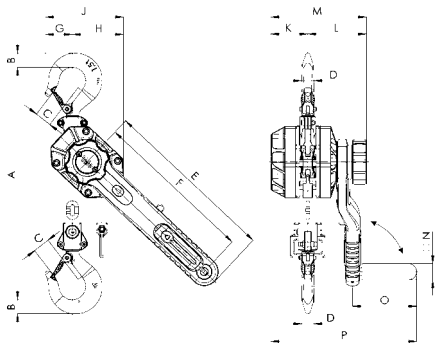
Technical data model YaleERGO 360

Model	EAN-No. 4053981**	Capacity kg	Number of chain falls	Chain dimensions d x p mm	Lift with one full lever turn mm	Handle pull at WLL daN	Weight at standard lift (1.5 m) kg
YaleERGO 360 750	**979625	750	1	5.6x17.1	27.2	20	6.6
YaleERGO 360 1500	**979632	1500	1	7.1x21	21.7	26	9.5
YaleERGO 360 3000 ¹	**979649	3000	1	10x28	20.1	40	16.8
YaleERGO 360 6000 ¹	**981055	6000	2	10x28	10.1	42	28.6

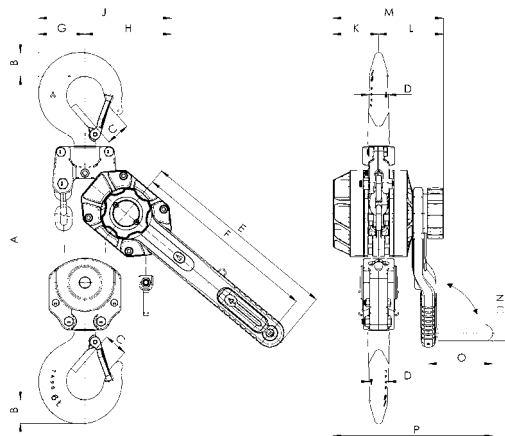
¹available 2nd quarter

Dimensions model YaleERGO 360

Model	YaleERGO 360 750	YaleERGO 360 1500	YaleERGO 360 3000	YaleERGO 360 6000
A min., mm	320	375	445	563
B, mm	20	26	37	45
C, mm	27	31	40	44
D, mm	18	21	28	35
E, mm	327	327	377	377
F, mm	300	300	350	350
G, mm	40	51	57	87
H, mm	81	96	123	162
J, mm	121	147	180	238
K, mm	56	69	86	86
L, mm	105	110	121	121
M, mm	161	179	207	207
N, mm	30	30	30	30
O, mm	120	120	120	120
P, mm	257	273	299	299



Model YaleERGO 360, 750 - 3000 kg,
single fall

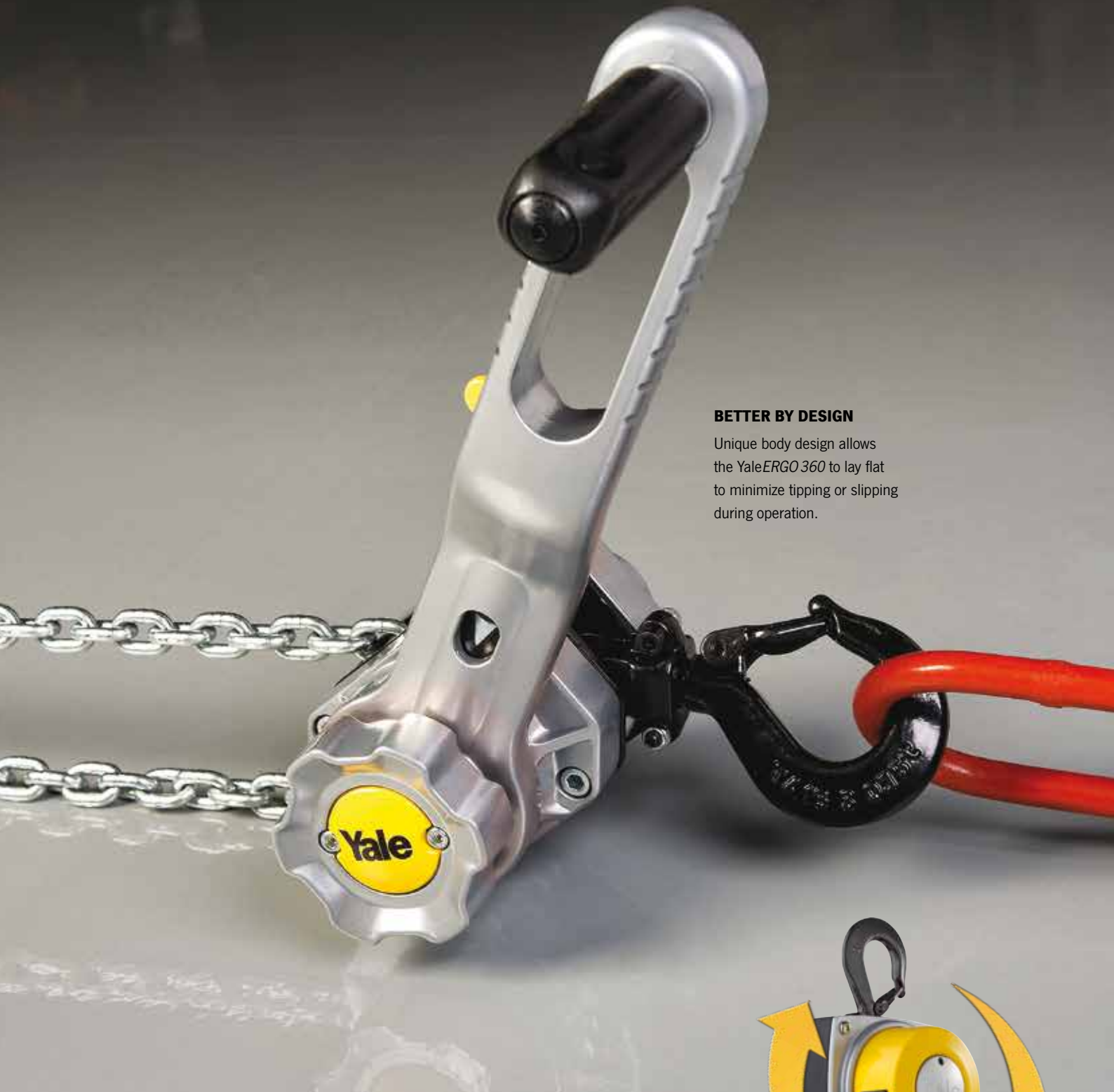


Model YaleERGO 360, 6000 kg,
double fall



EASIER MAINTENANCE & INSPECTION

For quicker maintenance and lower repair costs, screws are set into the hoist body to protect them from potential damage.



BETTER BY DESIGN

Unique body design allows the Yale *ERGO 360* to lay flat to minimize tipping or slipping during operation.

EXPERIENCE THE 360° ADVANTAGE

The Yale *ERGO 360* joins the Columbus McKinnon family of hoist products that harness the versatility and safety of 360° engineering and design. The Yale *ERGO*'s companion product – the Yale *lift 360* – is a one-of-a-kind manual chain hoist. Its patented hand chain cover rotates a full 360° to allow for pulling and lifting of loads from virtually any angle, helping to minimize side-pulling.

With capacities from 500 up to 20000 kg and ultimate flexibility, the Yale *lift 360* hand chain hoist is ideal for a wide range of applications.



THE POWER OF INTELLIGENT LIFTING

Since 1875, Columbus McKinnon - with well-known Brands like Yale and pfaff-silberblau - has helped to make material handling easier and safer, and, today, is your single source for complete floor-to-ceiling lifting systems. From below-the-hook attachments, chain, rigging products, manual and powered chain hoists to electric wire rope hoists, cranes, enclosed track systems and specially engineered products, Columbus McKinnon has the engineering expertise to meet the most demanding applications.



Germany

COLUMBUS McKINNON Industrial Products GmbH*

Yale-Allee 30
42329 Wuppertal
Phone: 00 49 (0) 202/69359-0
Web Site: www.cmco.eu
Web Site: www.yale.de
E-mail: info.wuppertal@cmco.eu

COLUMBUS McKINNON Engineered Products GmbH*

Am Silberpark 2-8
86438 Kissing
Phone: 00 49 (0) 8233 2121-800
Web Site: www.cmco.eu
Web Site: www.pfaff-silberblau.com
E-mail: info.kissing@cmco.eu

STB Stahlhammer Bommern GmbH

Carl-Zeiss-Str. 7
59077 Hamm
Phone: 00 49 (0) 2381 91 49 8-0
Web Site: www.stahlhammer.de
E-mail: stb@stahlhammer.de

Austria

COLUMBUS McKINNON Austria GmbH*

Gewerbepark, Wiener Straße 132a
2511 Pfaffstätten
Phone: 00 43 (0) 22 52/4 60 66-0
Web Site: www.cmco.at
E-mail: zentrale@cmco.at

Italy

COLUMBUS McKINNON Italia S.r.l.

Via 11 Settembre 26
20023 Cerro Maggiore (MI)
Phone: 00 39 (0) 331/57 63 29
Web Site: www.cmco.eu
E-mail: sales.it@cmco.eu

Netherlands

COLUMBUS McKINNON Benelux B.V.*

Flight Forum 128 a
5657 DD Eindhoven
Phone: 00 31 (0) 403/03 26 81
Web Site: www.cmco.eu
E-mail: sales.nl@cmco.eu

France

COLUMBUS McKINNON France SARL*

Zone Industrielle des Forges
18108 Vierzon Cedex
Phone: 00 33 (0) 248/71 85 70
Web Site: www.cmco-france.com
E-mail: sales.fr@cmco.eu

Great Britain

COLUMBUS McKINNON Corporation Ltd.

Knutsford Way, Sealand Industrial Estate
Chester CH1 4NZ
Phone: 00 44 (0) 1244 375375
Web Site: www.cmco.eu
E-mail: sales.uk@cmco.eu

Northern Ireland & Republic of Ireland

COLUMBUS McKINNON Corporation Ltd.

1A Ferguson Centre
57-59 Manse Road
Newtownabbey BT36 6RW
Northern Ireland
Phone: 00 44 (0) 2890 840697
Web Site: www.cmco.eu
E-mail: sales.ni@cmco.eu

COLUMBUS McKINNON Ireland Ltd.

Unit 4 South Court
Wexford Road Business Park
Carlow
Phone: 00 353 (0) 59 918 6605
Web Site: www.cmco.eu
E-mail: info.irl@cmco.eu

Spain & Portugal

COLUMBUS McKINNON Ibérica S.L.U.

Ctra. de la Esclusa, 21 acc. A
41011 Sevilla
Phone: 00 34 954 29 89 40
Web Site: www.yaleiberica.com
E-mail: informacion@cmco.eu

Switzerland

COLUMBUS McKINNON Switzerland AG

Dällikerstraße 25
8107 Buchs ZH
Phone: 00 41 (0) 44 8 51 55 77
Web Site: www.cmco.ch
E-mail: info.buchs@cmco.eu

Poland

COLUMBUS McKINNON Polska Sp.z o.o.

ul. Owsiana 14
62-064 Plewiska
Phone: 00 48 (0) 61 6 56 66 22
Web Site: www.cmco-polska.pl
E-mail: kontakt@pfaff-silberblau.pl

Hungary

COLUMBUS McKINNON Hungary Kft.*

Vásárhelyi út 5. VI ép
8000 Székesfehérvár
Phone: 00 36 (22) 880-540
Web Site: www.cmco.hu
E-mail: sales.hungary@cmco.eu

Turkey

COLUMBUS McKINNON

Kaldırma Ekip. San. ve Tic. Ltd. Şti.

Davutpaşa Caddesi
Emintaş Davutpaşa
Matbaacılar Sitesi No. 103/233-234
34010. Topkapı-Istanbul
Phone: 00 90 (212) 210 7 555
Web Site: www.cmco.eu
E-mail: info.turkey@cmco.eu

United Arab Emirates

COLUMBUS McKINNON Industrial Products ME FZE

Warehouse No. FZS5BD01
P.O. Box 261013
Jebel Ali Free Zone
Dubai, V.A.E.
Phone: 00 971 4 804 9600
Web Site: www.cmco.eu
E-mail: sales.uae@cmco.eu

South Africa

CMCO Material Handling (Pty) Ltd.*

P.O. Box 15557
Westmead, 3608
Phone: 00 27 (0) 31/700 43 88
Web Site: www.cmcosa.co.za
E-mail: sales@cmcosa.co.za

Yale Engineering Products (Pty) Ltd.

P.O. Box 4431
Honeydew, 2040
Phone: 00 27 (0) 11/794 29 10
Web Site: www.yalejhb.co.za
E-mail: info@yalejhb.co.za

Yale Lifting Solutions (Pty) Ltd.*

P.O. Box 592
Magaliesburg, 1791
Phone: 00 27 (0) 14/577 26 07
Web Site: www.yale.co.za
E-mail: sales@yalelift.co.za

Russia

COLUMBUS McKINNON Russia LLC

ul. Marshala Govorova 35/2
198095 St. Petersburg
Phone: 007 (812) 322 68 38
Web Site: www.yale.de
E-mail: info@yalekran.ru



*These subsidiaries belong to the matrix-certification-system according to EN ISO 9001.